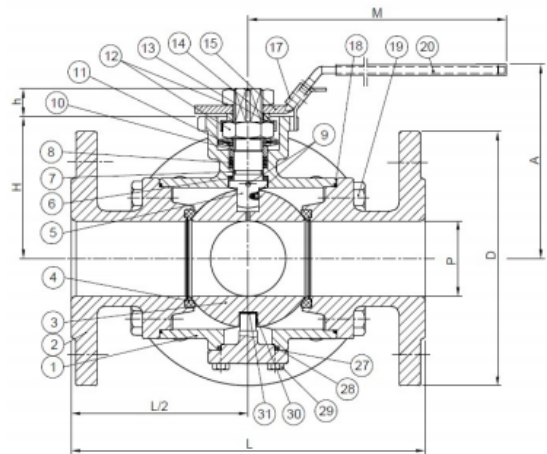


## Features

- WCB Full bore, 3 way L port or T port ball valve
- Flanged PN16/40, Note PN40 DN25-DN50 only
- Ball Seats x 4 - PTFE + 15% Glass Filled
- FPM Viton stem seals
- Anti-static device
- Lever operated
- ISO Mount for actuation
- Working temperature -25°C to +180°C

## Operation

Turning the hand lever one quarter-turn (90°) rotates the ball from closed to the open position. 3 way ball valve for mixing or diverting applications.



## Materials

Body	Carbon Steel 1.0619
Ball	Stainless Steel 1.4408
Seats	PTFE + 15% glass filled
Stem / Seals	FPM Viton
Lever	Stainless Steel with Vinyl cover

## Dimension Table

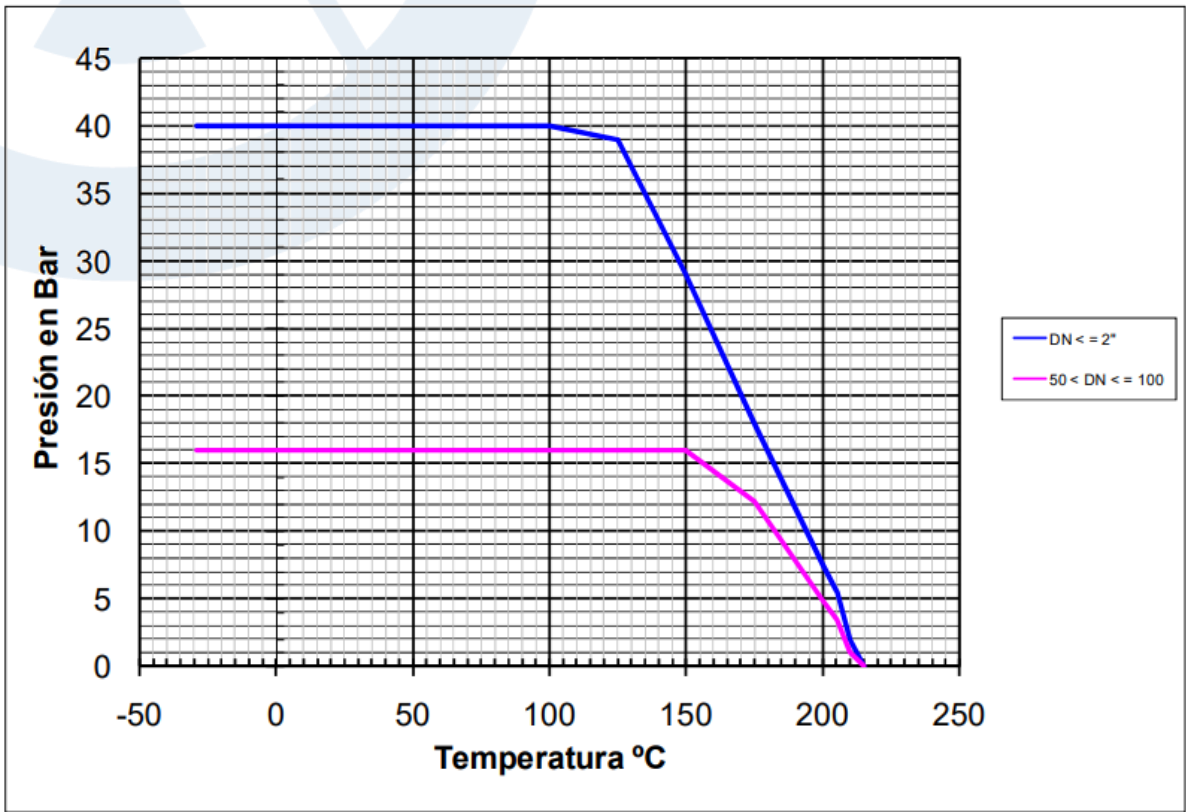
Size	PN	DN	L	D	H	A	M	ISO	Torque	Weight
80660-06 (L) 80661-06 (T)	40	25	180	115	59	9	163	F04/05x11	21Nm	7.35
80660-07 (L) 80661-07 (T)	40	32	190	140	71	113	209	F05/07x14	28Nm	10.45
80660-08 (L) 80661-08 (T)	40	40	212	150	78	121	209	F05/07x14	38Nm	14.30
80660-09 (L) 80661-09 (T)	40	50	230	165	85	126	209	F05/07x14	51Nm	18.40
80660-10 (L) 80661-10 (T)	16	65	290	185	110	175	450	F07/10x17	82Nm	27.30
80660-11 (L) 80661-11 (T)	16	80	310	200	123	188	500	F07/10x17	135Nm	40.20
80660-12 (L) 80661-12 (T)	16	100	350	220	146	211	550	F07/10x17	225Nm	59.70

Manufacturer:

**GENEBRE**



**Pressure and Temperature:**



**KV Values**

Kv (m<sup>3</sup> / h) = Flow rate of water in cubic meter per hour that will generate a pressure drop of 1 bar across the valve

1"	1 1/4"	1 1/2"	2"	2 1/2"	3"	4"
39	50	96	192	264	351	653

**Anti Static Device**

This device ensures the electrical continuity between Ball - Stem - Body, this is of special need in flammable fluids

